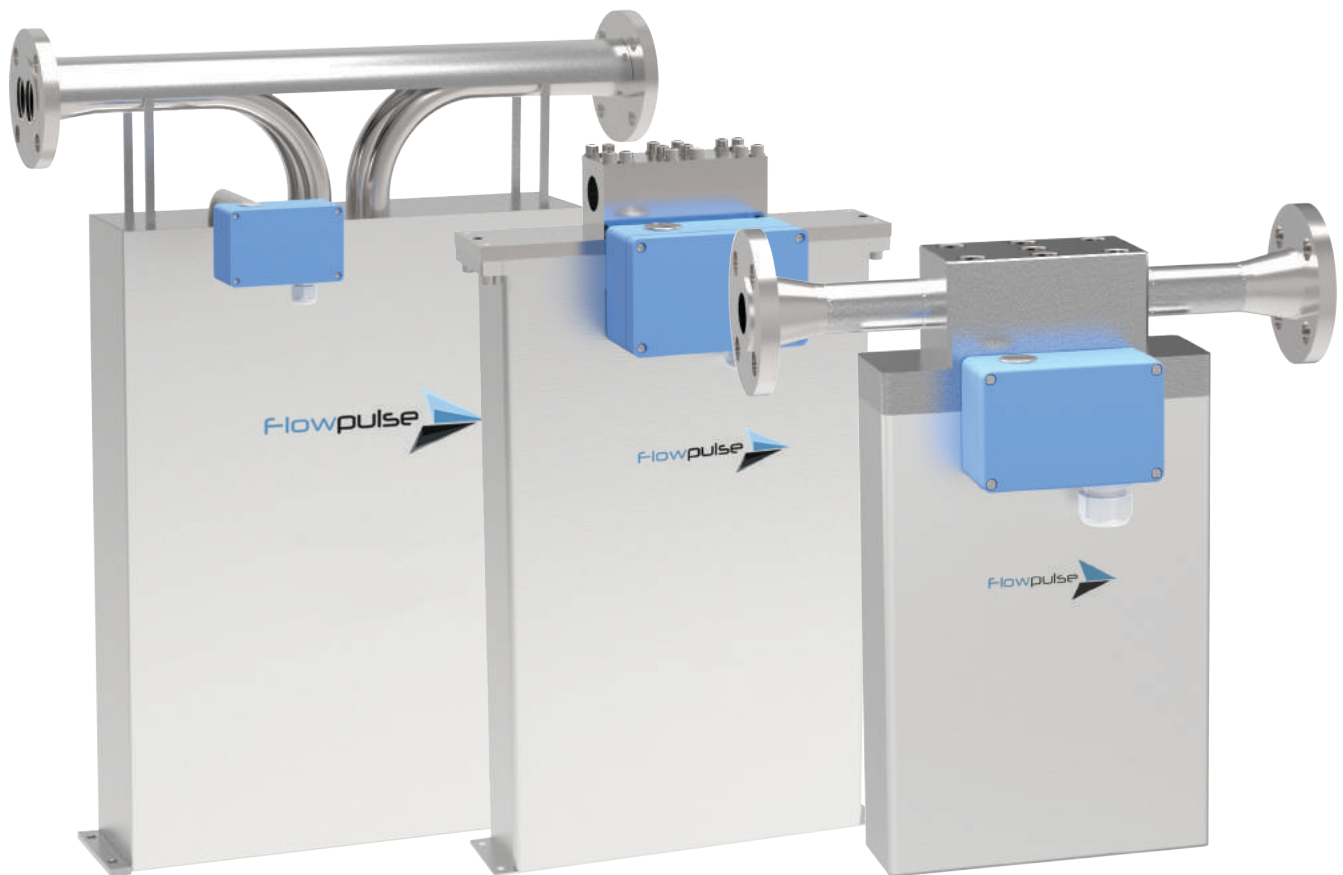


# FUEL CONSUMPTION

## MASS FLOW METERS



### FEATURES

- Reliable and highly accurate mass flow measurement
- No up/down straight pipe sections required
- Real time density measurement checks fuel quality
- Replaces less reliable volume based flow meters
- Small pipeline footprint
- Maintenance free
- Insensitive to fuel type – Mass reading is always correct
- No moving parts
- Highly repeatable – Perfect for engine optimization

## TECHNICAL DATA

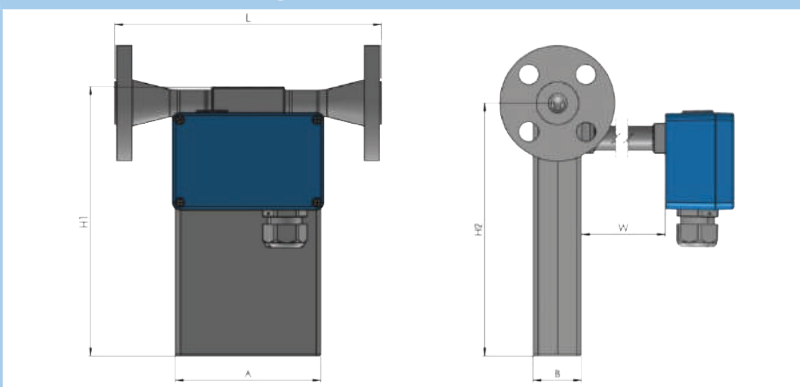
Measuring System	
Measuring Principle	Coriolis Mass Flow Meter
Application Range	Mass flow, volume flow and density measurement of liquid
Measured Values	Mass, volume, density, temperature

Accuracy	
Mass (Max)	±0.1% of flow rate
Volume (Max)	±0.15% of flow rate
Repeatability	±0.05% of flow rate
Density	±1.0 kg/m <sup>3</sup> , ±0.001 g/cm <sup>3</sup>
Temperature	Better than ±1°C
Zero Stability	±0.01% of full scale

Design / Construction	
Features	Fully welded maintenance free sensor in stainless steel
Options	Available as integrated version or remote version

Operating Conditions																	
Ambient Temp.	-20...+60°C																
Max. Medium Temp.	210°C																
Maximum Flow Rates (All instruments offered will be sized based on flow/process calculations)	Max. flow calculation examples (1 bar pressure drop @ viscosity 15 cSt and density 920 kg/m <sup>3</sup> ) <table border="1" style="display: inline-table; margin-left: 20px;"> <tr> <td><b>FP300</b></td> <td>45 kg/h</td> <td><b>FP6000</b></td> <td>3750 kg/h</td> </tr> <tr> <td><b>FP600</b></td> <td>150 kg/h</td> <td><b>FP12MT</b></td> <td>7470 kg/h</td> </tr> <tr> <td><b>FP1200</b></td> <td>520 kg/h</td> <td><b>FP18MT</b></td> <td>14350 kg/h</td> </tr> <tr> <td><b>FP3000</b></td> <td>1500 kg/h</td> <td></td> <td></td> </tr> </table>	<b>FP300</b>	45 kg/h	<b>FP6000</b>	3750 kg/h	<b>FP600</b>	150 kg/h	<b>FP12MT</b>	7470 kg/h	<b>FP1200</b>	520 kg/h	<b>FP18MT</b>	14350 kg/h	<b>FP3000</b>	1500 kg/h		
<b>FP300</b>	45 kg/h	<b>FP6000</b>	3750 kg/h														
<b>FP600</b>	150 kg/h	<b>FP12MT</b>	7470 kg/h														
<b>FP1200</b>	520 kg/h	<b>FP18MT</b>	14350 kg/h														
<b>FP3000</b>	1500 kg/h																

### Dimensions and Weight



Sensors	Dimensions (mm)						Weight
	A	B	H1	H2	L	W	
FP300/600	120	40	222	208	220	2	3.5 kg
FP1200/3000	180	60	234	255	260	0	8 kg
FP6000/12MT	300	70	454	481	400	0	16 kg
FP18MT	300	70	454	486	460	0	23 kg

### Integrated Transmitter Electronics

**FP16**  
Compact transmitter, Modbus, analog and digital outputs, 24 VDC, 3 W ATEX Zone 2



### Remote Transmitter Electronics

**FP26**  
Rack/panel mount transmitter, Modbus interface, analog/digital outputs and inputs, 24 VDC, 3 W ATEX/IEC Zone 1



**FP27**  
Rack/panel mount transmitter, Modbus interface, analog/digital outputs and inputs, 24 VDC, 250 VAC ATEX/IEC Zone 1



**Flowmet Pte Ltd**  
33 Ubi Ave 3, #04-01,  
Vertex (Tower B)  
Singapore 408868

Tel: +65 6841 5219  
Fax: +65 6851 5213  
Email: admin@ascenz.com  
Website: www.flowpulse.com